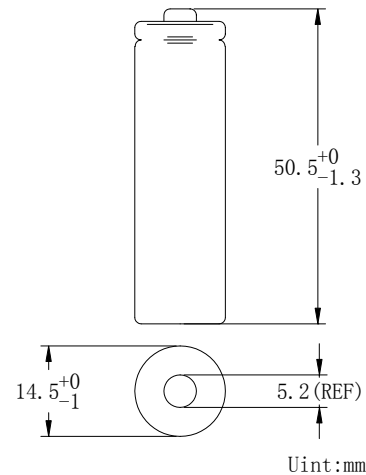
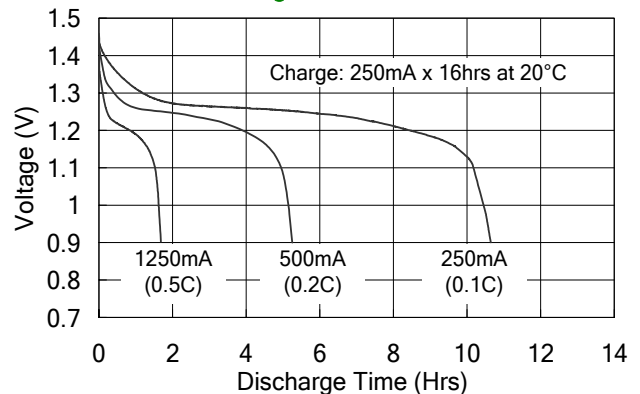


Model No.: **GP270AAHC**

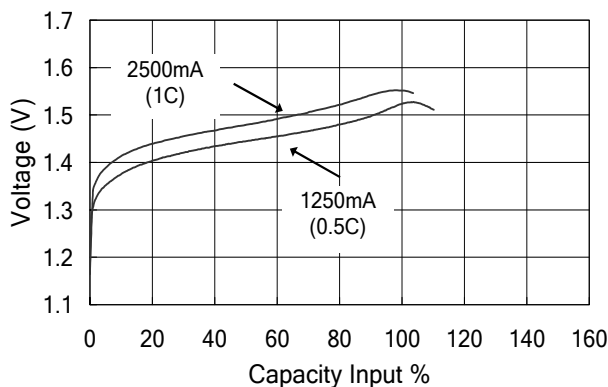
Type	: Rechargeable Nickel Metal Hydride Cylindrical Cell
Nominal Dimension (with Sleeve)	: $\Phi = 14.5\text{mm}$ H = 50.5mm
Applications	: Recommended discharge current 250 to 750mA
Nominal Voltage	: 1.2V
Capacity	: Nominal: 2500mAh Minimum: 2500mAh Typical: 2600mAh When discharged at 500mA to 1.0V at 20°C
Charging Condition	: 250mA for 16 hrs at 20°C
Fast Charge	: 1250mA to 2500mA (0.5 to 1C) charge termination control recommended control parameters: - ΔV : 0-5mV DT/dt : 0.8°C/min (0.5 to 0.9C) 0.8 - 1°C/min (1C) TCO : 45 - 50°C Timer : 100% nominal input (for ref. only)
Service Life	: >500 cycles (IEC standard)
Continuous Overcharge	: 250mA maximum current for 1 year. No conspicuous deformation and/or leakage
Weight	: 31.5g
Internal Resistance	: Average 18m Ω upon fully charged (Range 14 - 28m Ω) at 1000Hz
Max. Charging Voltage	: 1.5V at 250mA charging
Ambient Temperature Range	: Standard Charge : 0 to 45°C Fast Charging : 10 to 45°C Discharge : -20 to 50°C Storage : -20 to 35°C



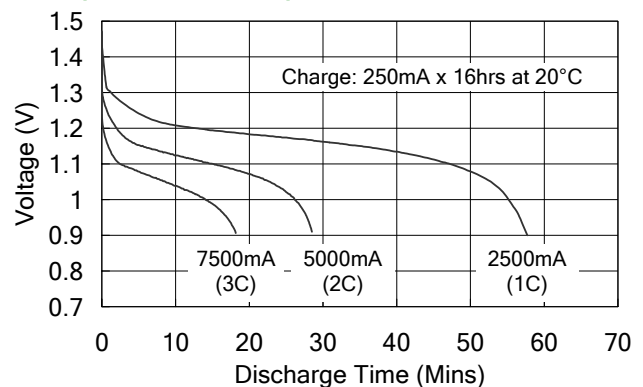
Low Rate Discharge



Fast Charge (Charge Control Required)



High Rate Discharge



The information (subject to change without prior notice) contained in this document is for reference only and should not be used as a basis for product guarantee or warranty. For applications other than those described here, please consult your nearest GP Sales and Marketing Office or Distributors.