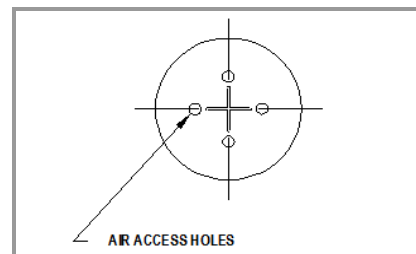
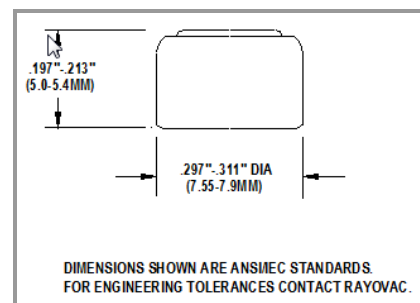
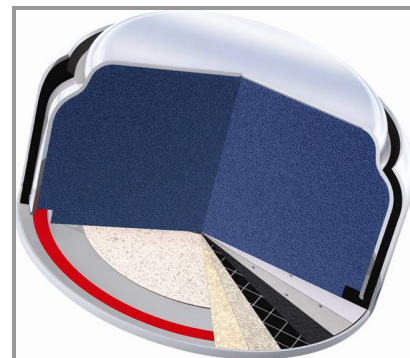


<b>Rayovac Stock Number</b>	13ZM
<b>Name</b>	13 Zero Mercury
<b>Cell Chemistry</b>	Zinc Air
<b>Recommended Use</b>	Hearing Aid Instruments
<b>Nominal Voltage</b>	1.45 volts
<b>Designation</b>	ANSI : 7000ZD IEC : PR48 Common : 13
<b>Weight</b>	0.79 grams (.03 oz)
<b>Volume</b>	.26 cc (.016 cu. in.)
<b>Environmental</b>	These cells have no added mercury. Refer to <a href="#">Rayovac Material Safety Data Sheets</a> for more detailed information
<b>Operating Temperature Range</b>	-10° C to 50° C (14° F to 122° F)
<b>ANSI/IEC Hearing Aid Standard Test</b>	136 hours – 2 mA background, 6 mA 100 ms pulse, once every 2 hours, 12 hours/day to 1.05V at 70°F (21° C) and 50% RH.
<b>ANSI/IEC Hearing Aid High Power Test</b>	89 hours – 3 mA background, 12 mA 100 ms pulse, once every 2 hours, 12 hours/day to 1.05V at 70°F (21° C) and 50% RH.
<b>Storage Loss at 70°F (21°C)</b>	Less than 10% in one year with tab applied.
<b>Activation and use</b>	Remove and discard the plastic tab covering air holes. Allow the battery to stand for one minute to insure proper activation. The battery compartment must allow for an adequate oxygen supply to reach air



### Typical ANSI/IEC Discharge Performance

